

MİMARİ KATALOG ARCHITECTURAL CATALOGUE

Alüminyum Kapı Pencere ve Giydirme Cephe Sistemleri
Aluminium Window Doors and Facade Systems



RSG104

MİMARİ KATALOG ARCHITECTURAL CATALOGUE

Alüminyum Kapı Pencere ve Giydirme Cephe Sistemleri
Aluminium Window Doors and Facade Systems

RSG104

PROFİLLER

PROFILES

01

02

03

04

05

06

07

08

09

10

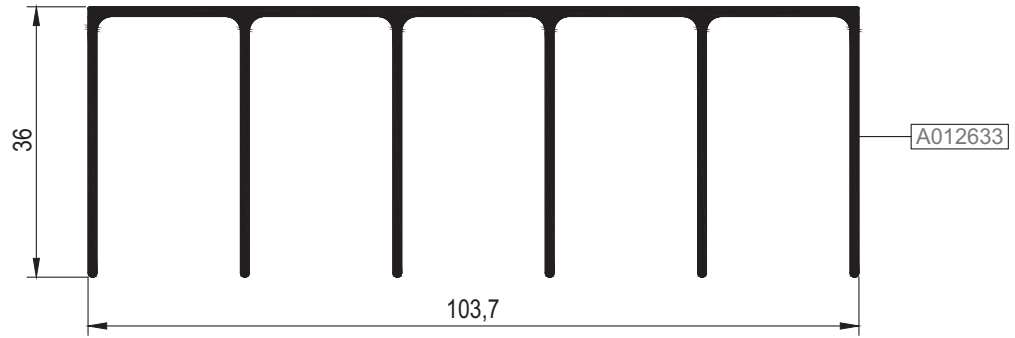
11

12

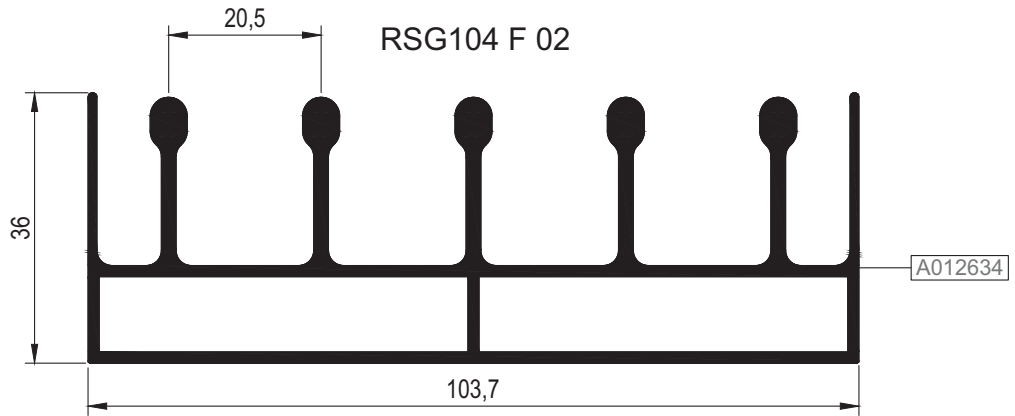
13

KOD / CODE	AĞIRLIK (kg/m) / WEIGHT	Jxx cm ⁴	Jyy cm ⁴	L m	
RSG104 F 01	1,063	43,378	5,387	6	
RSG104 F 02	1,966	76,885	9,388	6	
RSG104 F 03	1,119	44,501	2,845	6	

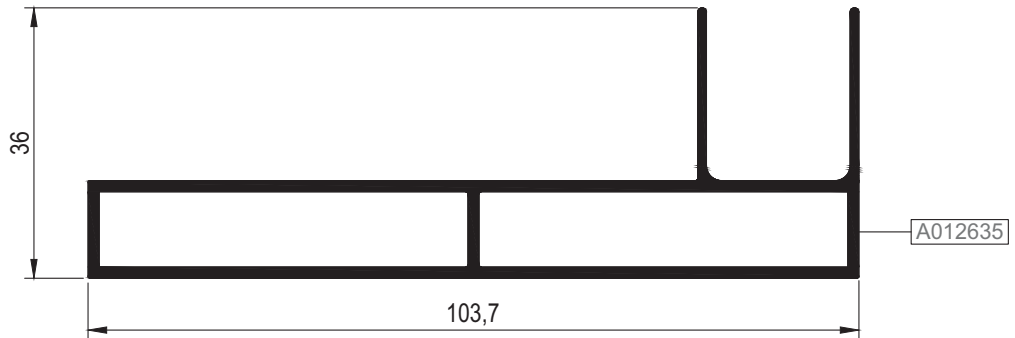
RSG104 F 01




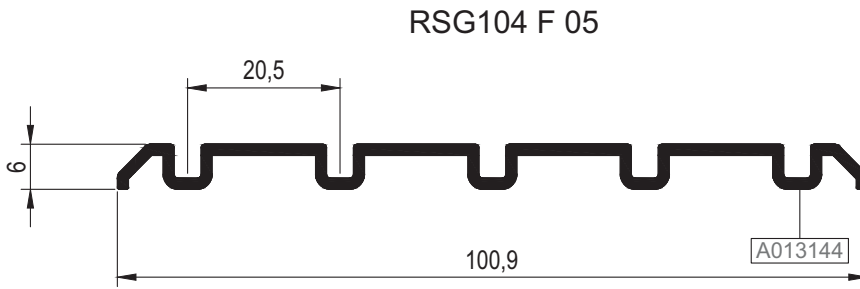
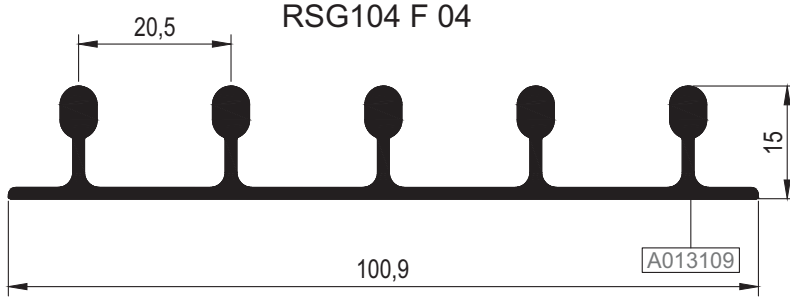
RSG104 F 02



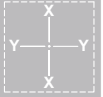
RSG104 F 03



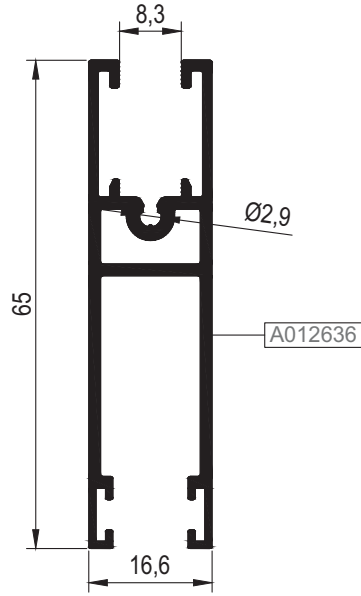
KOD / CODE	AĞIRLIK (kg/m) / WEIGHT	Jxx cm ⁴	Jyy cm ⁴	L m	
RSG104 F 04	0,976	30,332	0,954	6	
RSG104 F 05	0,589	19,501	0,075	6	



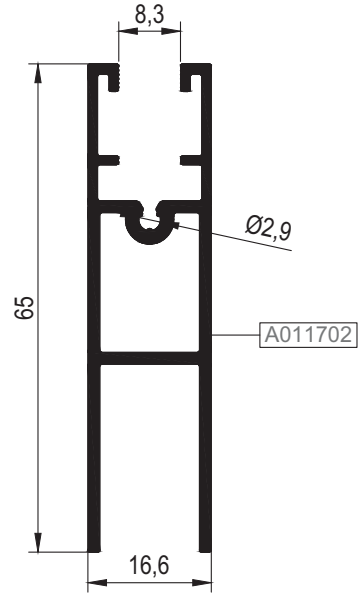
KOD / CODE	AĞIRLIK (kg/m) / WEIGHT	Jxx cm ⁴	Jyy cm ⁴	L m
RSG104 V 01	0,756	1,252	8,996	6
RSG104 V 03	0,743	1,253	8,750	6
RSG104 A 01	0,140	0,137	0,057	6
RSG104 A 02	0,188	0,154	0,293	6
RSG104 A 03	0,291	0,373	0,993	6
RSG104 A 04	0,210	0,644	0,421	6



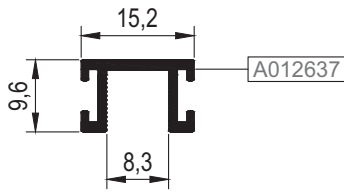
RSG104 V 01



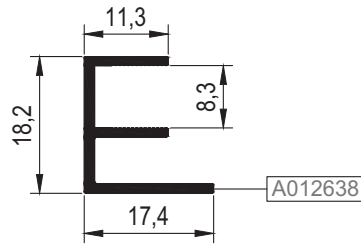
RSG104 V 03



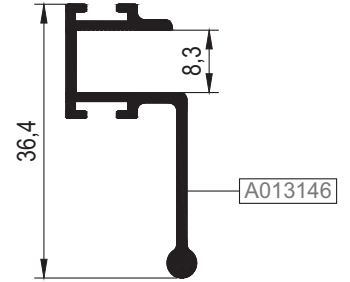
RSG104 A 01



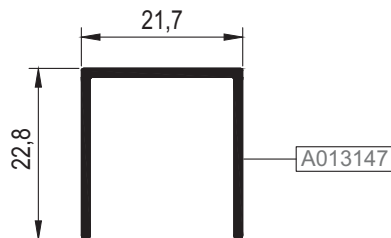
RSG104 A 02



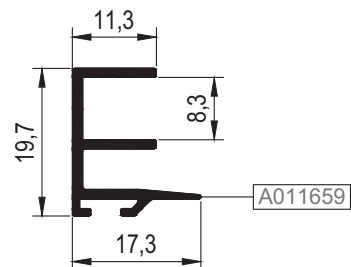
RSG104 A 03



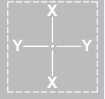
RSG104 A 04



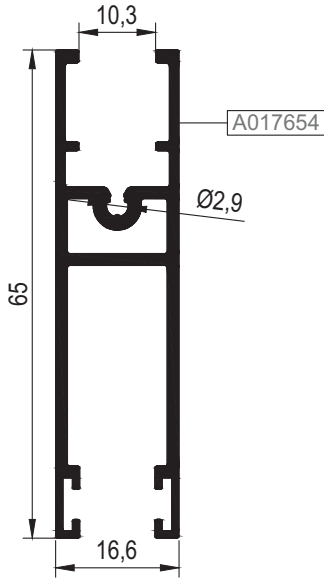
RSG104 A 05



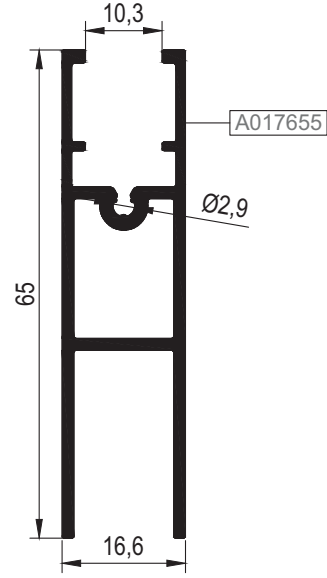
KOD / CODE	AĞIRLIK (kg/m) / WEIGHT	Jxx cm4	Jyy cm4	L m
RSG104 V 04	0,734	----	----	6
RSG104 V 05	0,718	----	----	6
RSG104 A 06	0,197	----	----	6
RSG104 A 07	0,232	----	----	6
RSG104 A 08	0,284	----	----	6



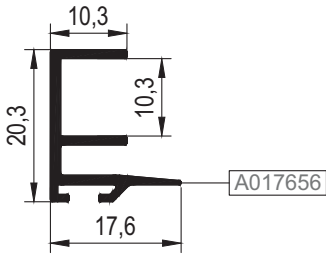
RSG104 V 04



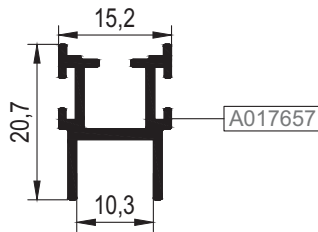
RSG104 V 05



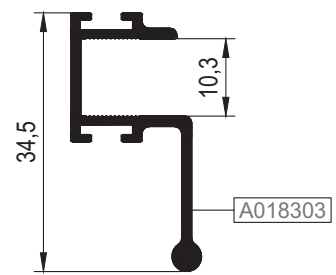
RSG104 A 06



RSG104 A 07



RSG104 A 08



STOKTA BULUNAN SİSTEM PROFİLLERİNİN LİSTESİ (LIST OF SYSTEM PROFILES IN STOCK)

Nr	MIN. SİPARİŞ MİKTARI MIN. ORDER QUANTITY
RSG104 F 01 A012633	75 kg
RSG104 F 02 A012634	75 kg
RSG104 F 03 A012635	75 kg
RSG104 F 05 A013144	75 kg
RSG104 A 03 A013146	75 kg

* STOKTA BULUNMAYAN TÜM PROFİLLER İÇİN MİNİMUM SİPARİŞ MİKTARI 300 KG'DIR.
MINIMUM ORDER QUANTITY FOR ALL THE PROFILES THAT ARE NOT IN STOCK IS 300 KG.

MİMARİ KATALOG ARCHITECTURAL CATALOGUE

Alüminyum Kapı Pencere ve Giydirme Cephe Sistemleri
Aluminium Window Doors and Facade Systems

RSG104

DETAYLAR

DETAILS

01

02

03

04

05

06

07

08

09

10

11

12

13

01

02

03

04

05

06

07

08

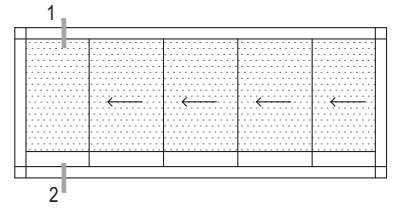
09

10

11

12

13



RSG104 F 01

23

RSG104 A 01

17.01.03

① DETAYI
DETAIL

8

8

RSG104 V 01

25.04.07

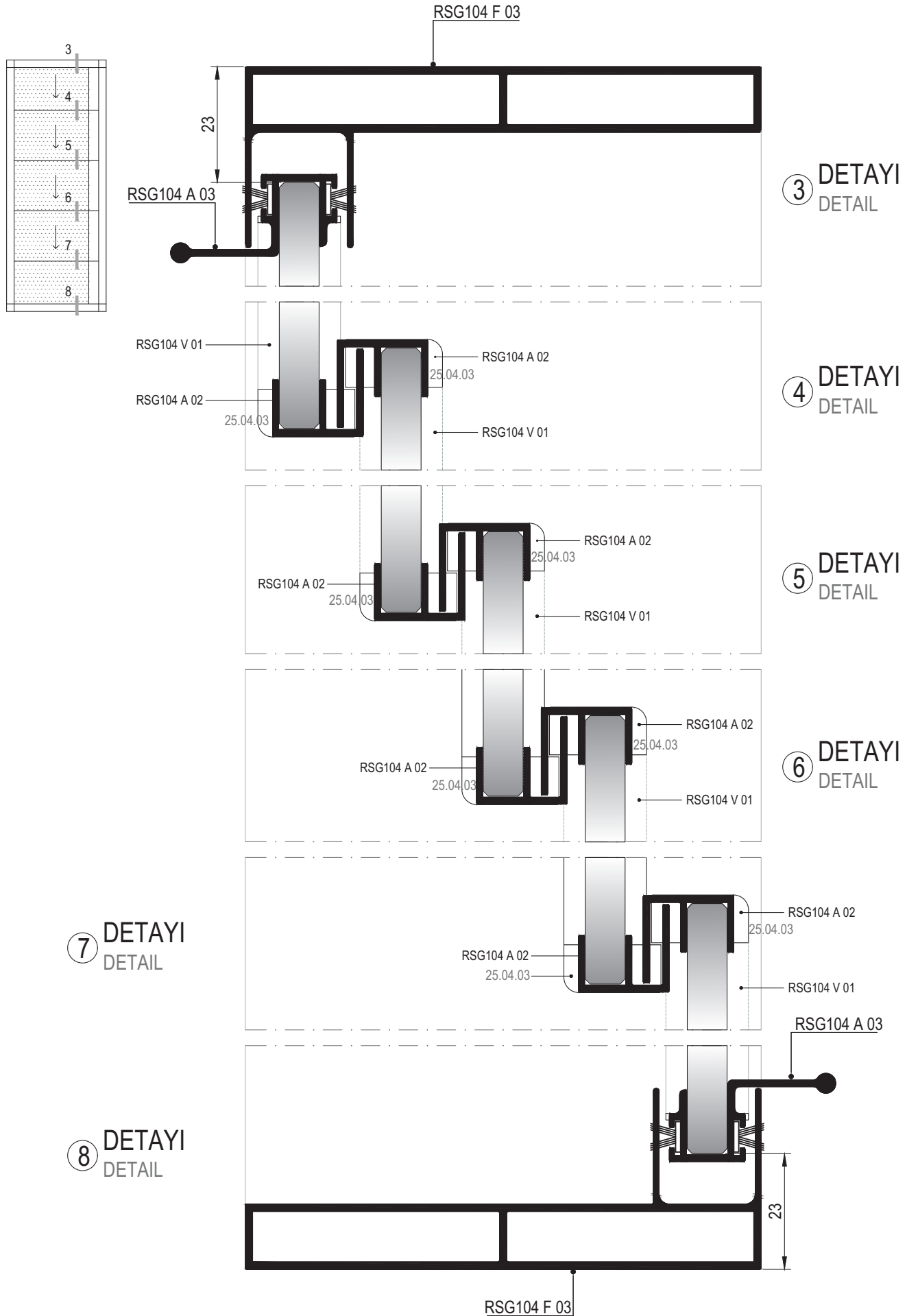
RSG104 F 02

25.04.19

17.01.03

② DETAYI
DETAIL





③ DETAYI
DETAIL

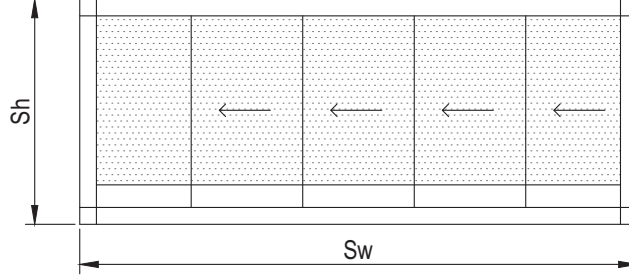
④ DETAYI
DETAIL

⑤ DETAYI
DETAIL

⑥ DETAYI
DETAIL

⑦ DETAYI
DETAIL

⑧ DETAYI
DETAIL

ÜRETİM
MANUFACTURECAM EBATLARI:

Cam Yüksekliği (Gh)(mm)= Sh-98

Cam Genişliği (Gw)(mm)= $\frac{Sw+18}{5}$ PROFİL KESİM ÖLÇÜLERİ:

Üst ve Alt Kasa Profilleri (RSG104 F 01 VE F 02) (mm)= Sw - 72

Yan Kasa Profilleri (RSG104 F 03) (mm)= Sh - 72

Kanat Profili (RSG104 V 01) (mm)= Gw - 16

Dikme Profilleri (RSG104 A 03 VE A 02) (mm)= Gh - 26

Üst Yatay Profil (RSG104 A 01) (mm)= Gw + 4

GLASS DIMENSIONS:

Glass height (Gh)(mm)= Sh-98

Glass width (Gw)(mm)= $\frac{Sw+18}{5}$ PROFILE CUTTING MEASURES:

Upper and bottom profiles (RSG104 F 01 VE F 02) (mm)= Sw - 72

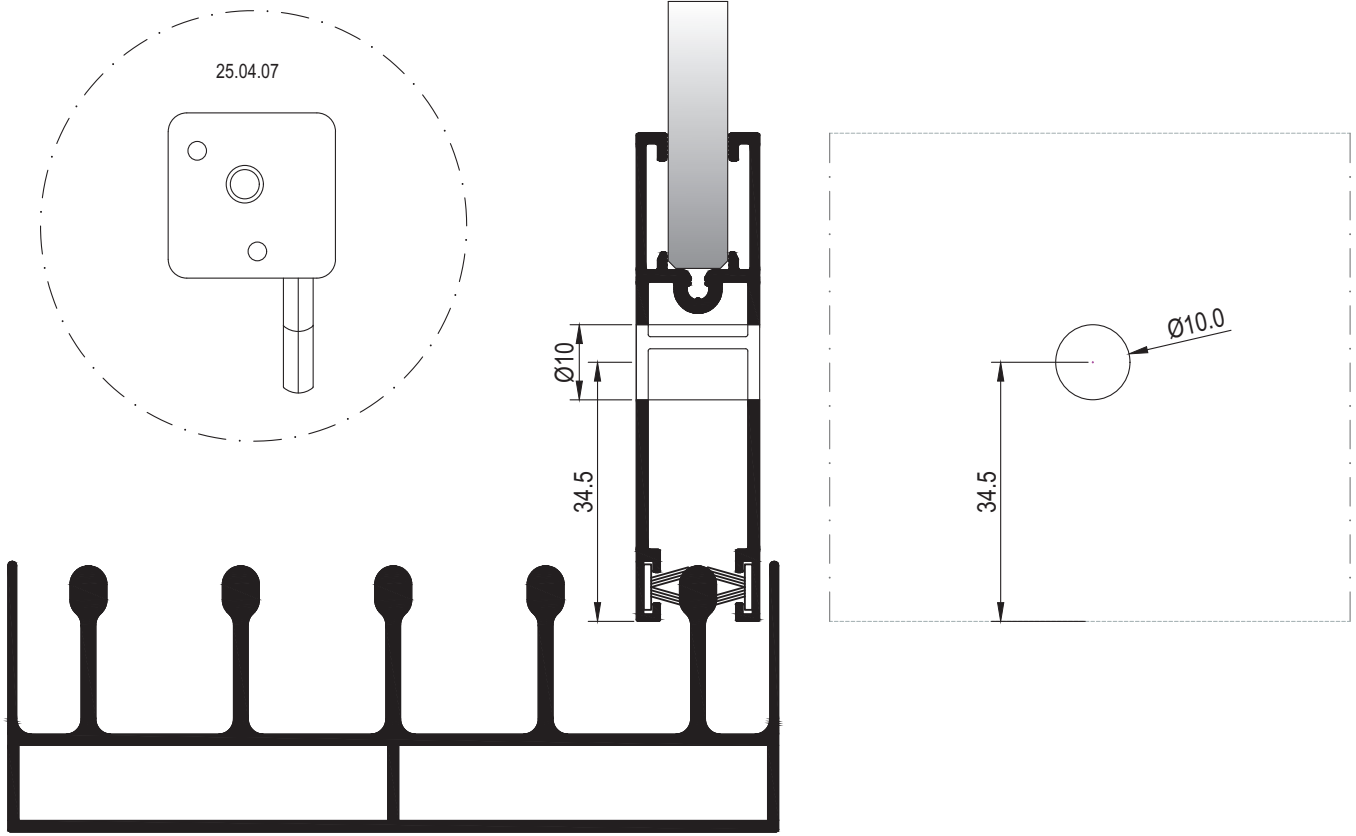
Side frame profiles (RSG104 F 03) (mm)= Sh - 72

Vent profiles (RSG104 V 01) (mm)= Gw - 16

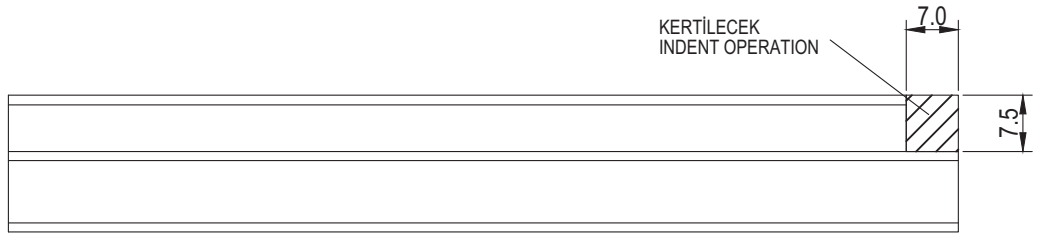
Adapter profiles (RSG104 A 03 VE A 02) (mm)= Gh - 26

Adapter profiles (RSG104 A 01) (mm)= Gw + 4

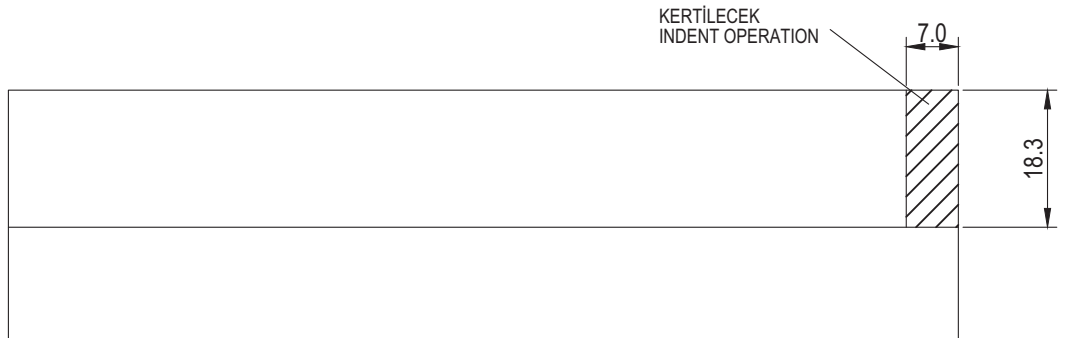
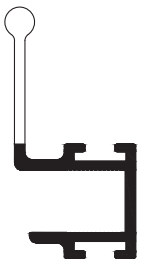
KERTME VE DELME İŞLEMLERİ INDENT AND DRILL OPERATIONS



RSG104 A 02



RSG104 A 03



01

02

03

04

05

① DETAYI
DETAIL

06

07

08

09

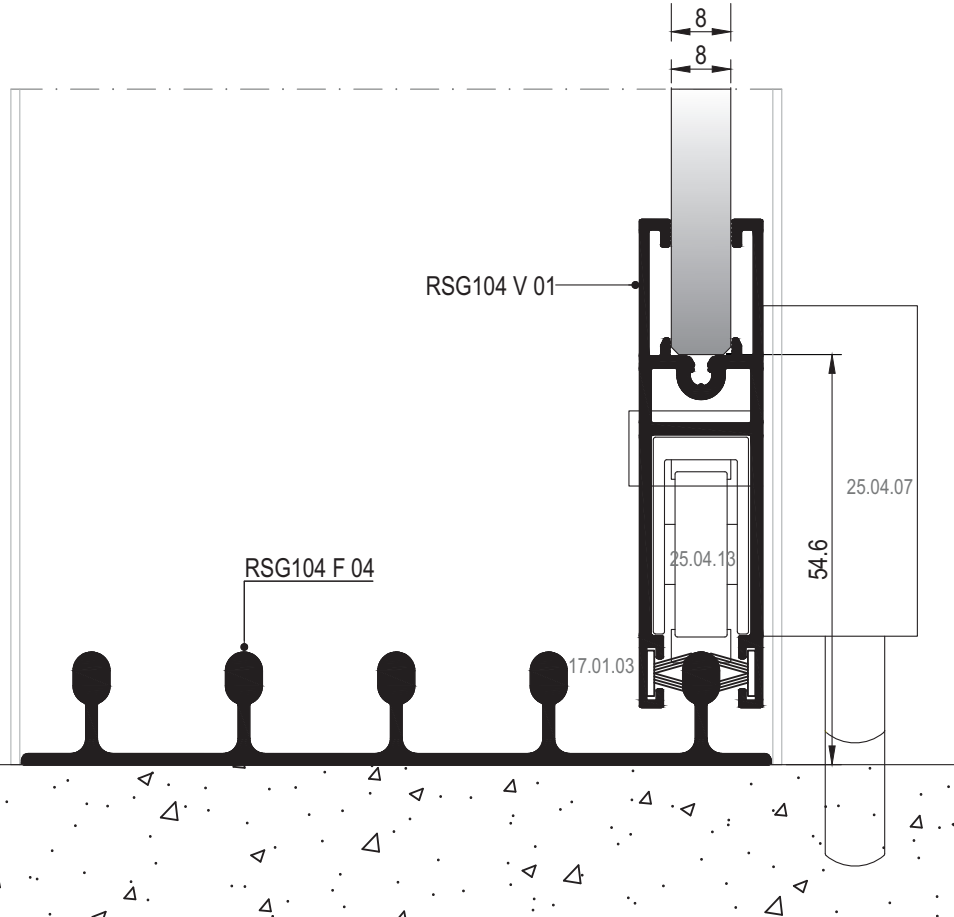
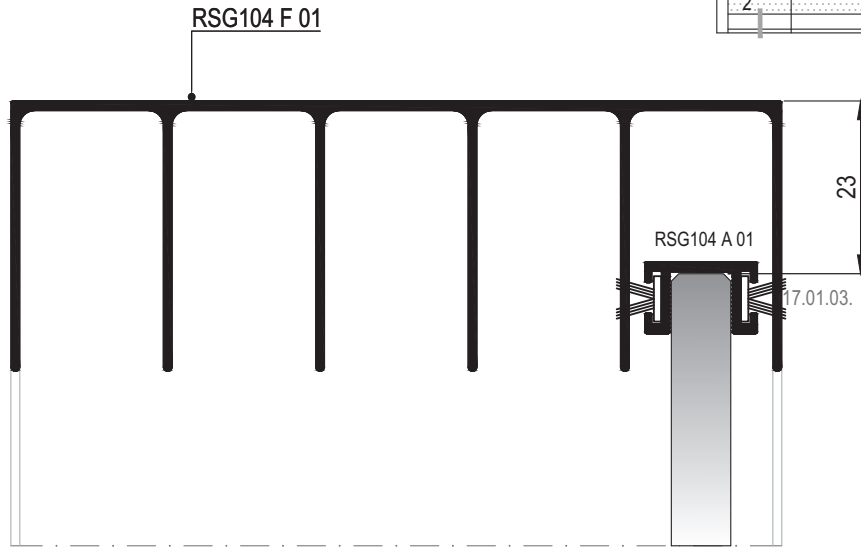
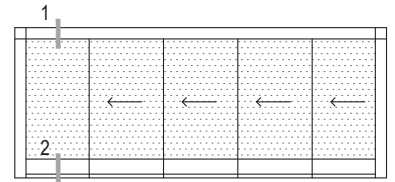
10

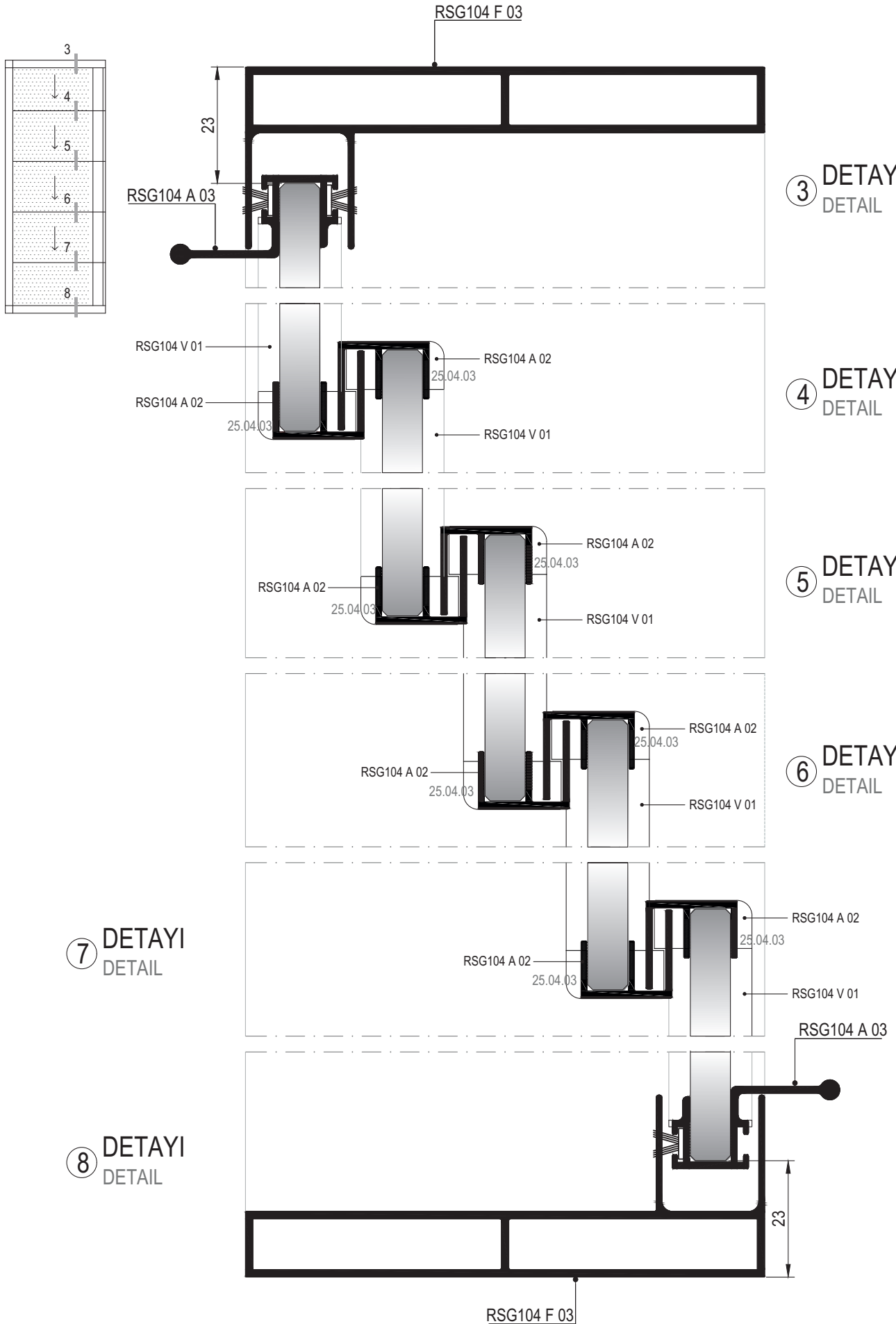
② DETAYI
DETAIL

11

12

13





③ DETAYI
DETAIL

④ DETAYI
DETAIL

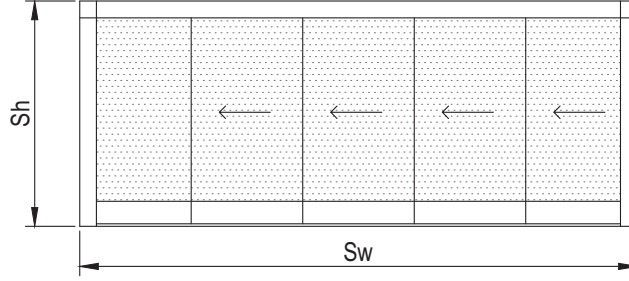
⑤ DETAYI
DETAIL

⑥ DETAYI
DETAIL

⑦ DETAYI
DETAIL

⑧ DETAYI
DETAIL

ÜRETİM MANUFACTURE



CAM EBATLARI:

Cam Yüksekliği (Gh)(mm)= Sh-78

Cam Genişliği (Gw)(mm)= $\frac{Sw+18}{5}$

PROFİL KESİM ÖLÇÜLERİ:

Üst Kasa Profilleri (RSG104 F 01) (mm)= Sw - 72

Alt Kasa Profilleri (RSG104 F 04) (mm)= Sw - 26

Yan Kasa Profilleri (RSG104 F 03) (mm)= Sh - 36

Kanat Profili (RSG104 V 01) (mm)= Gw - 16

Dikme Profilleri (RSG104 A 03 VE A 02) (mm)= Gh - 26

Üst Yatay Profil (RSG104 A 01) (mm)= Gw + 4

GLASS DIMENSIONS:

Glass height (Gh)(mm)= Sh-78

Glass width (Gw)(mm)= $\frac{Sw+18}{5}$

PROFILE CUTTING MEASURES:

Upper profile (RSG104 F 01) (mm)= Sw - 72

Bottom profile (RSG104 F 04) (mm)= Sw - 26

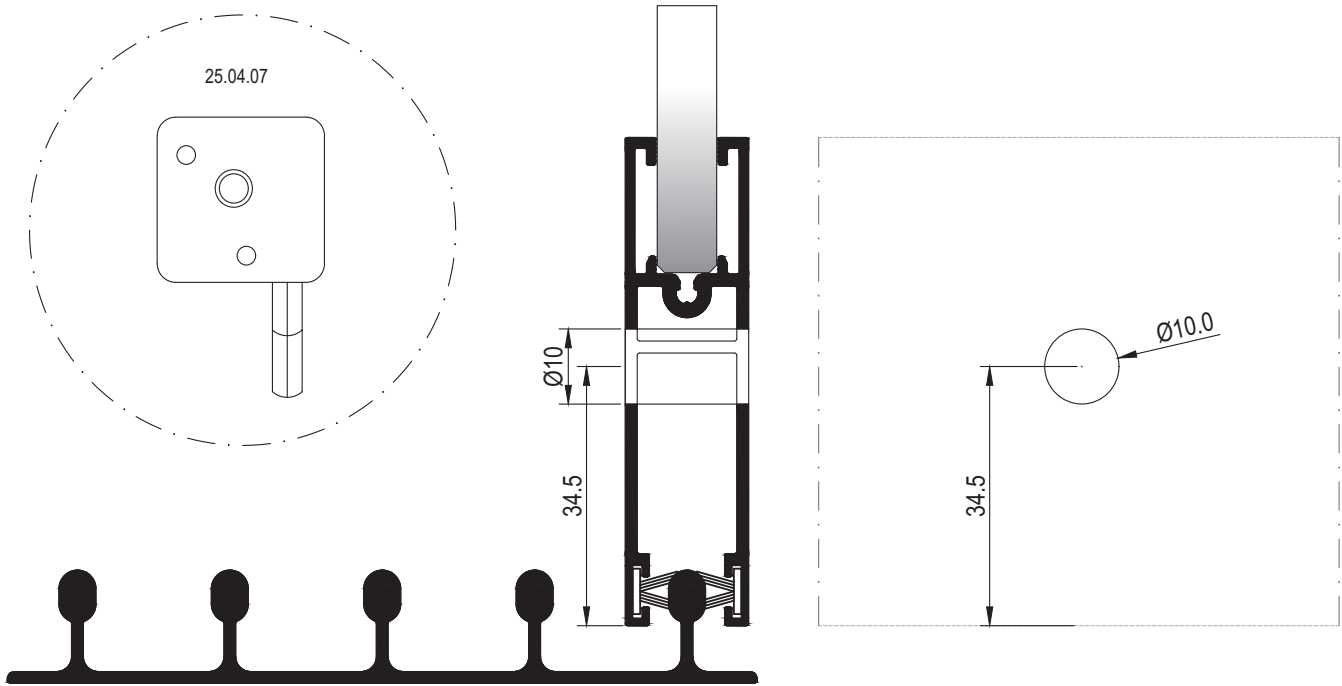
Side frame profiles (RSG104 F 03) (mm)= Sh - 36

Vent profiles (RSG104 V 01) (mm)= Gw - 16

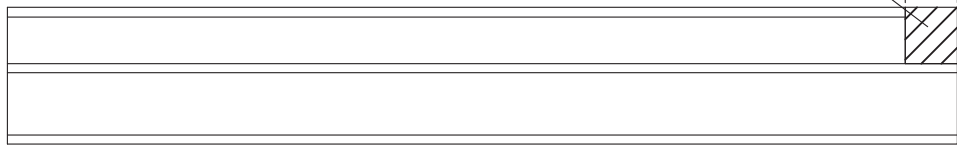
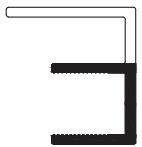
Adapter profiles (RSG104 A 03 VE A 02) (mm)= Gh - 26

Adapter profiles (RSG104 A 01) (mm)= Gw + 4

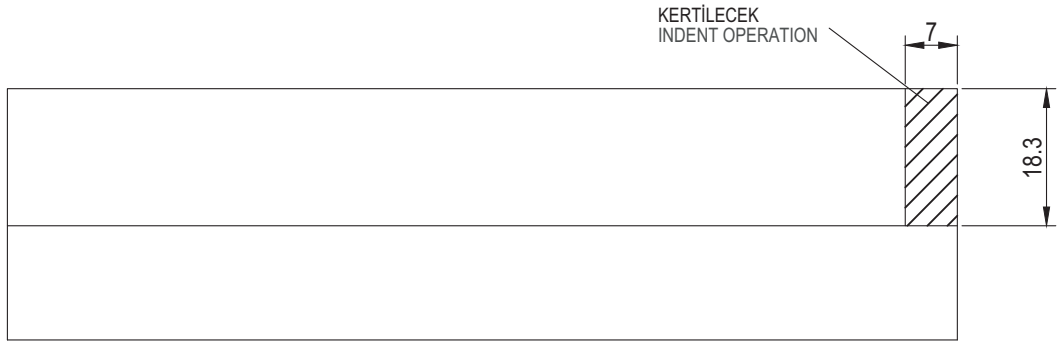
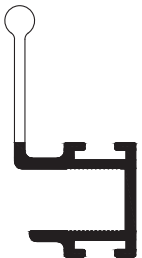
KERTME VE DELME İŞLEMLERİ INDENT AND DRILL OPERATIONS



RSG104 A 02



RSG104 A 03



- 01
- 02
- 03
- 04
- 05
- 06
- 07
- 08
- 09
- 10
- 11
- 12
- 13

01

02

03

04

05

06

07

08

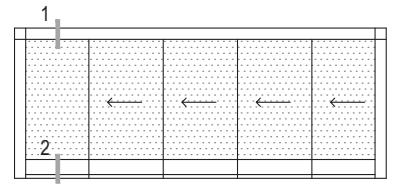
09

10

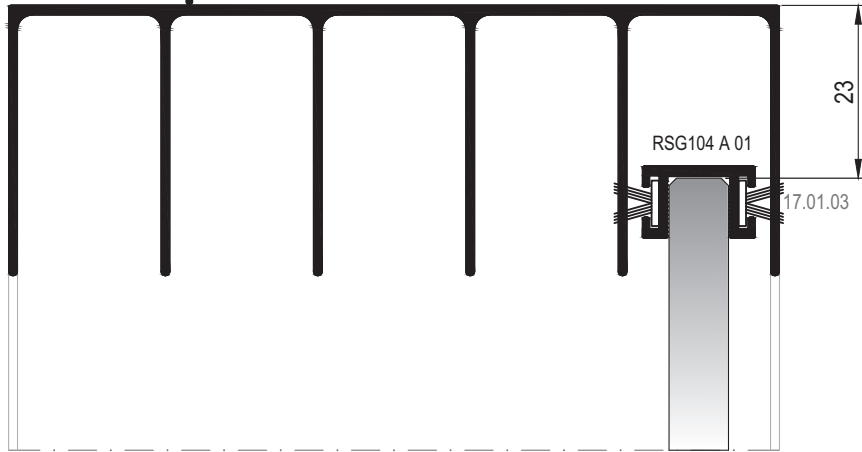
11

12

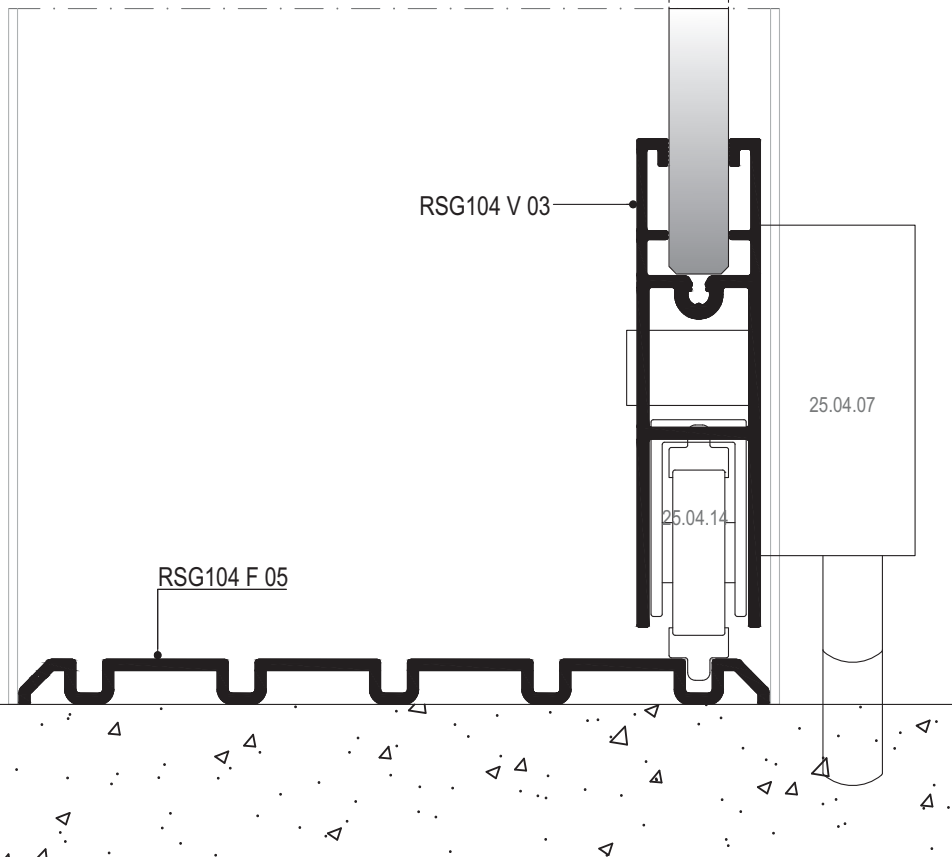
13



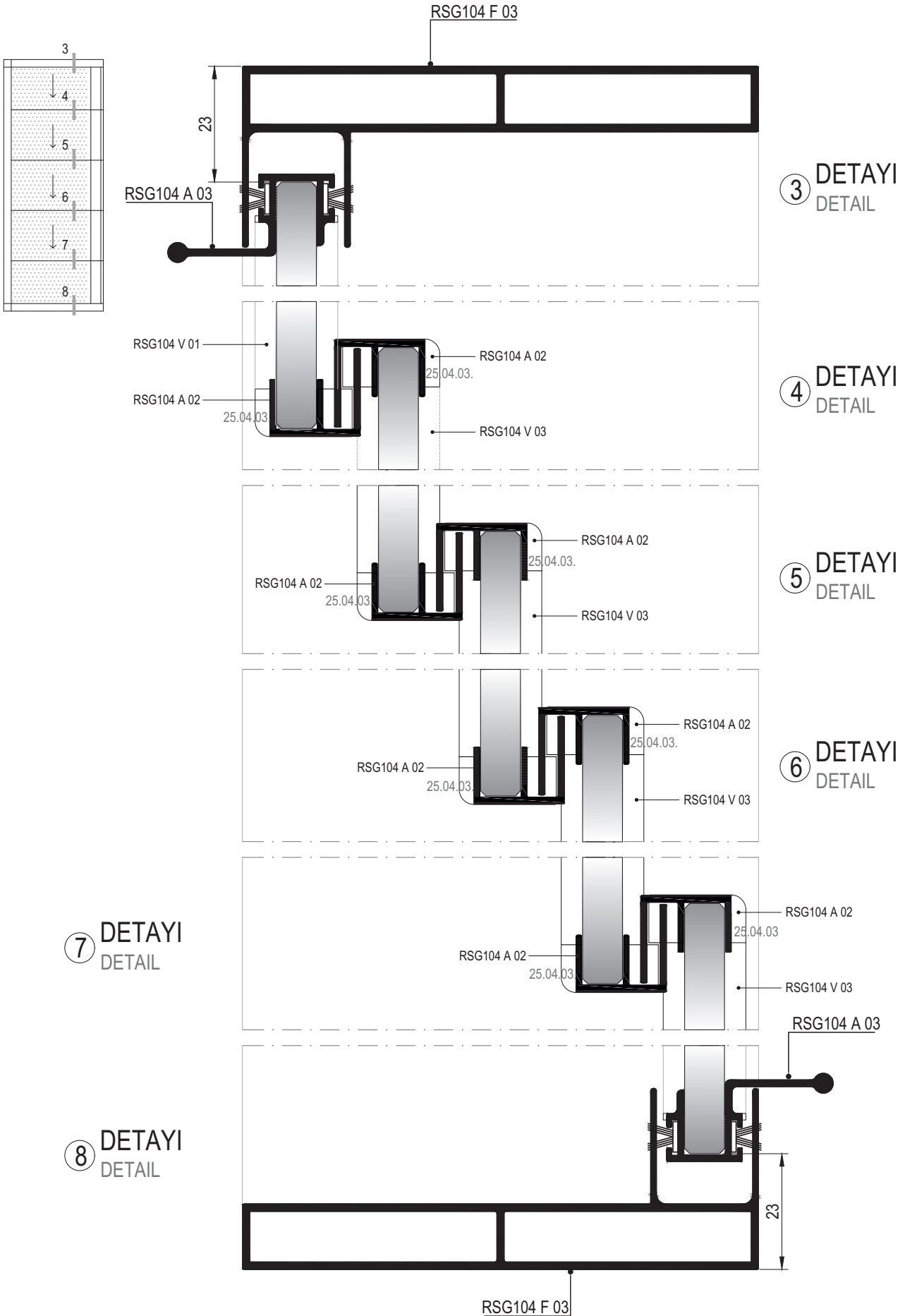
RSG104 F 01

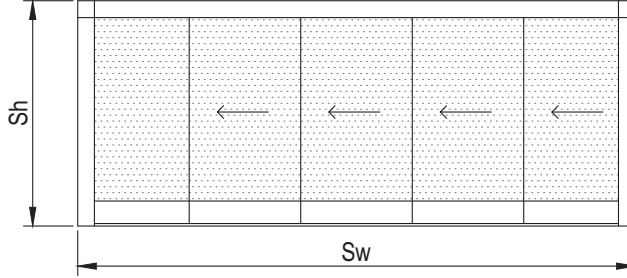


① DETAYI
DETAIL



② DETAYI
DETAIL



ÜRETİM
MANUFACTURECAM EBATLARI:

Cam Yüksekliği (Gh)(mm)= Sh-80,3

Cam Genişliği (Gw)(mm)= $\frac{Sw+18}{5}$

PROFİL KESİM ÖLÇÜLERİ:

Üst Kasa Profilleri (RSG104 F 01) (mm)= Sw - 72

Alt Kasa Profilleri (RSG104 F 05) (mm)= Sw - 26

Yan Kasa Profilleri (RSG104 F 03) (mm)= Sh - 36

Kanat Profili (RSG104 V 03) (mm)= Gw - 16

Dikme Profilleri (RSG104 A 03 VE A 02) (mm)= Gh - 26

Üst Yatay Profil (RSG104 A 01) (mm)= Gw + 4

GLASS DIMENSIONS:

Glass height (Gh)(mm)= Sh-80,3

Glass width (Gw)(mm)= $\frac{Sw+18}{5}$

PROFILE CUTTING MEASURES:

Upper profile (RSG104 F 01) (mm)= Sw - 72

Bottom profile (RSG104 F 05) (mm)= Sw - 26

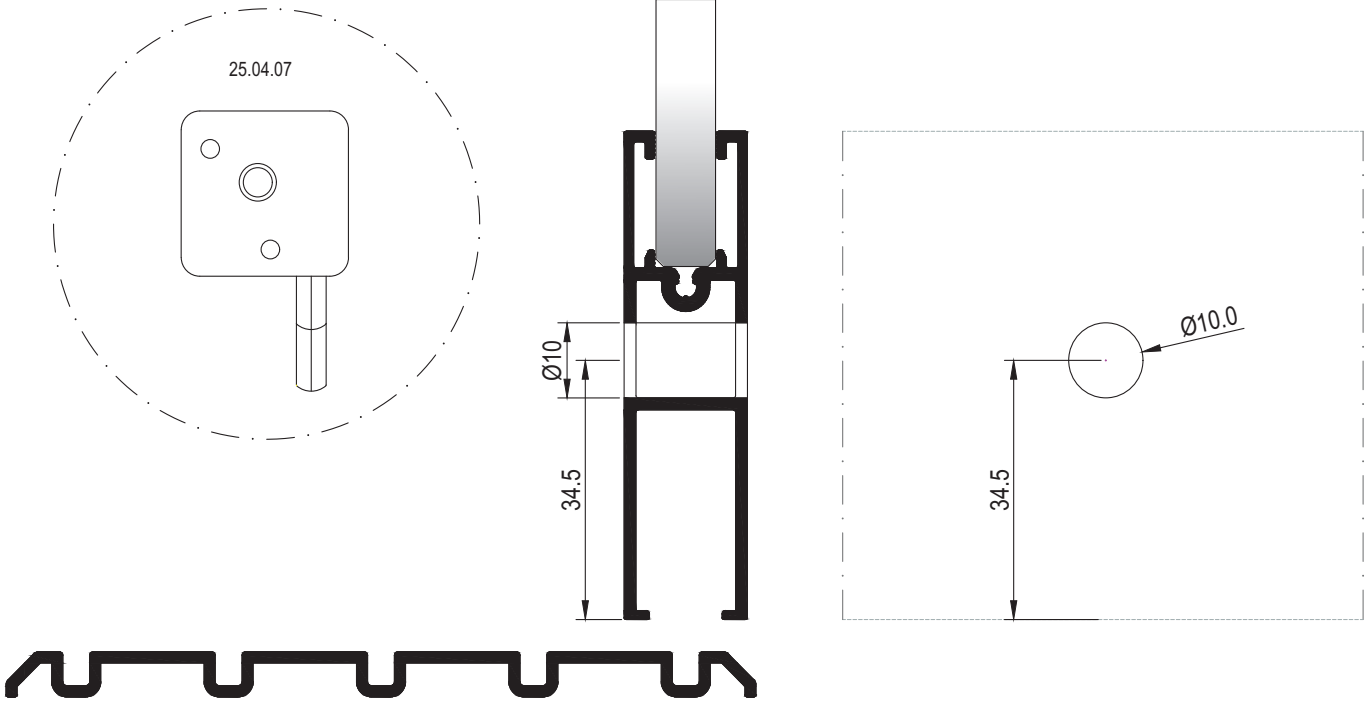
Side frame profiles (RSG104 F 03) (mm)= Sh - 36

Vent profiles (RSG104 V 03) (mm)= Gw - 16

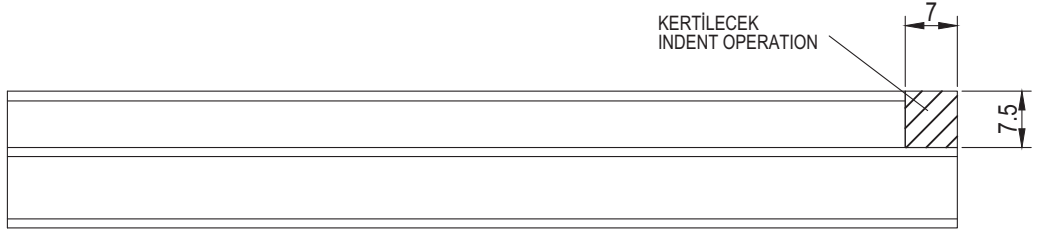
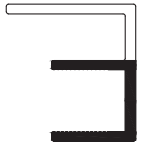
Adapter profiles (RSG104 A 03 VE A 02) (mm)= Gh - 26

Adapter profiles (RSG104 A 01) (mm)= Gw + 4

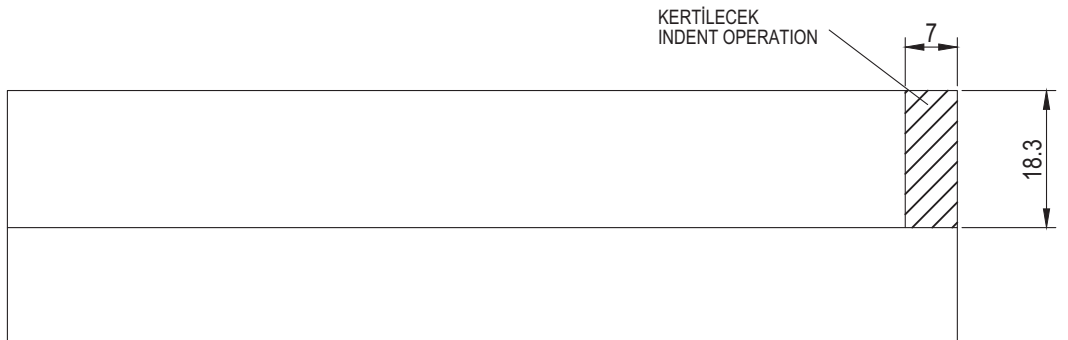
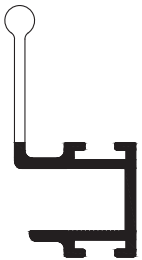
KERTME VE DELME İŞLEMLERİ
INDENT AND DRILL OPERATIONS



RSG104 A 02



RSG104 A 03



01

02

03

04

05

06

07

08

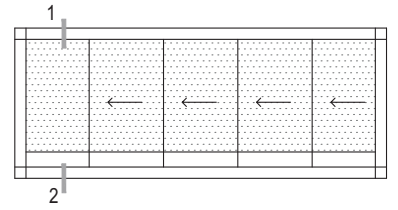
09

10

11

12

13



RSG104 F 01

RSG104 A 07

17.01.03

① DETAYI
DETAIL

10

10

RSG104 V 04

25.04.07

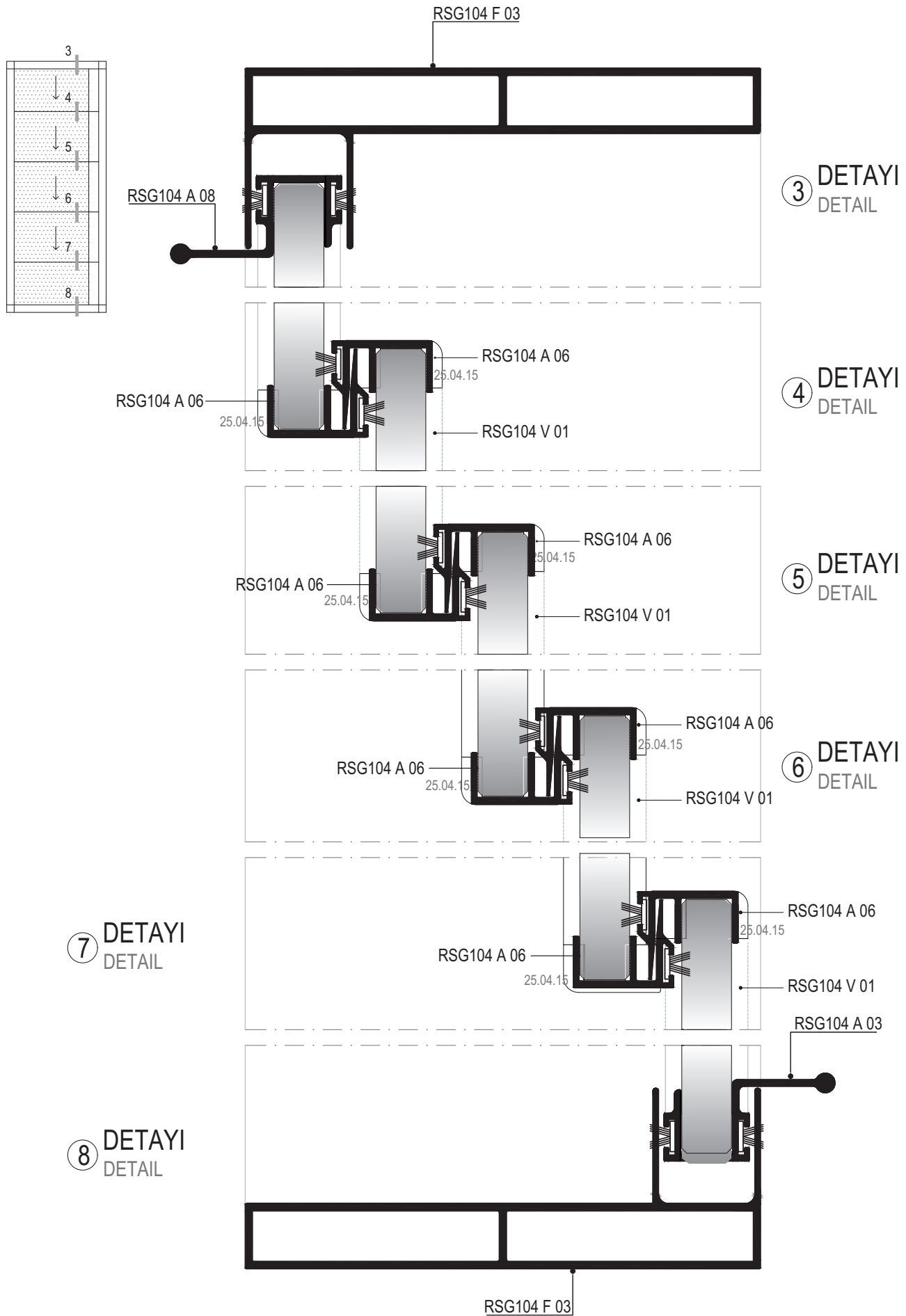
RSG104 F 02

25.04.13

17.01.03

② DETAYI
DETAIL





01

02

03

04

05

06

07

08

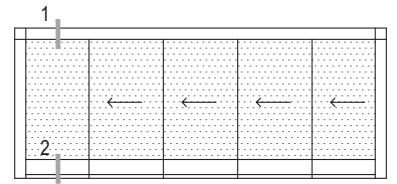
09

10

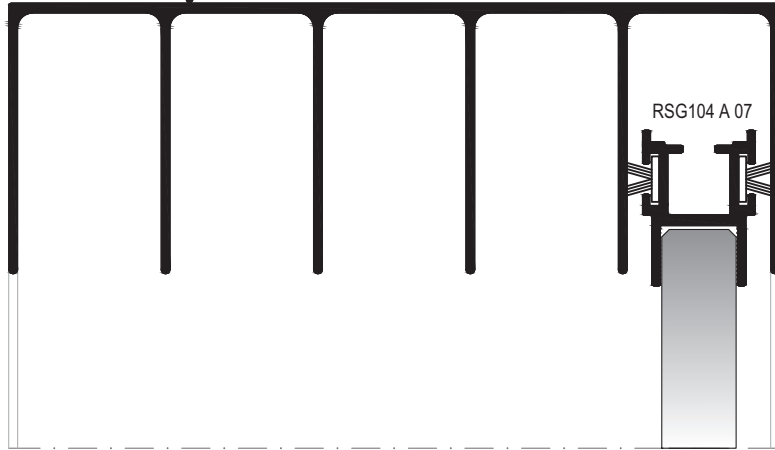
11

12

13



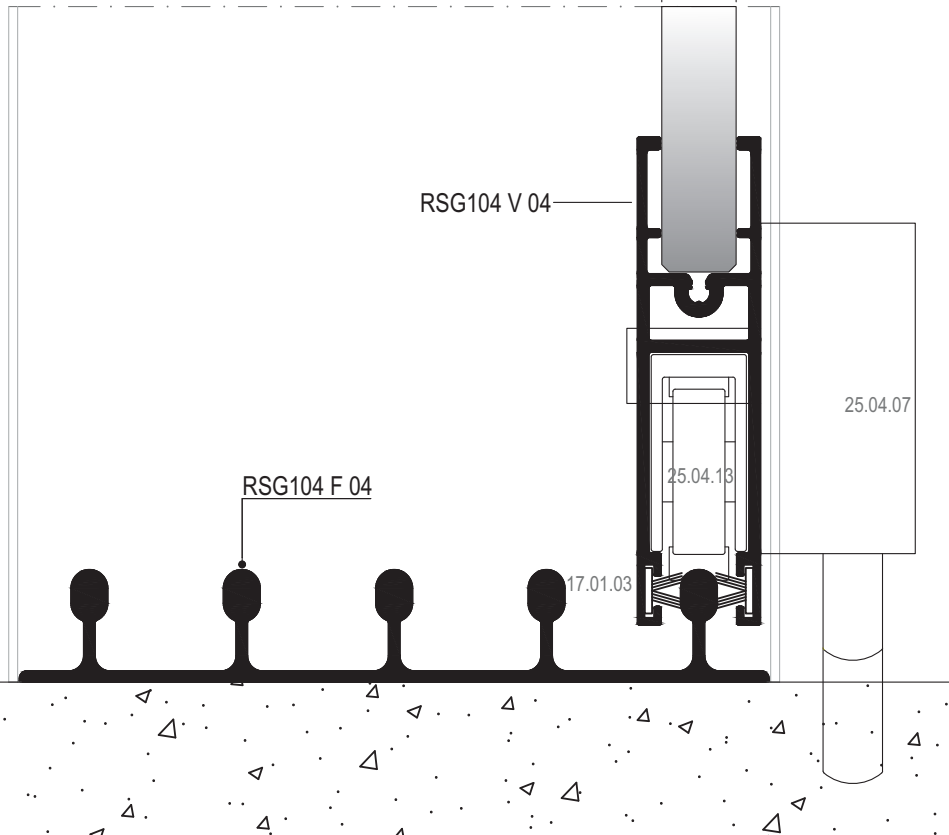
RSG104 F 01



① DETAYI
DETAIL

10

10



② DETAYI
DETAIL

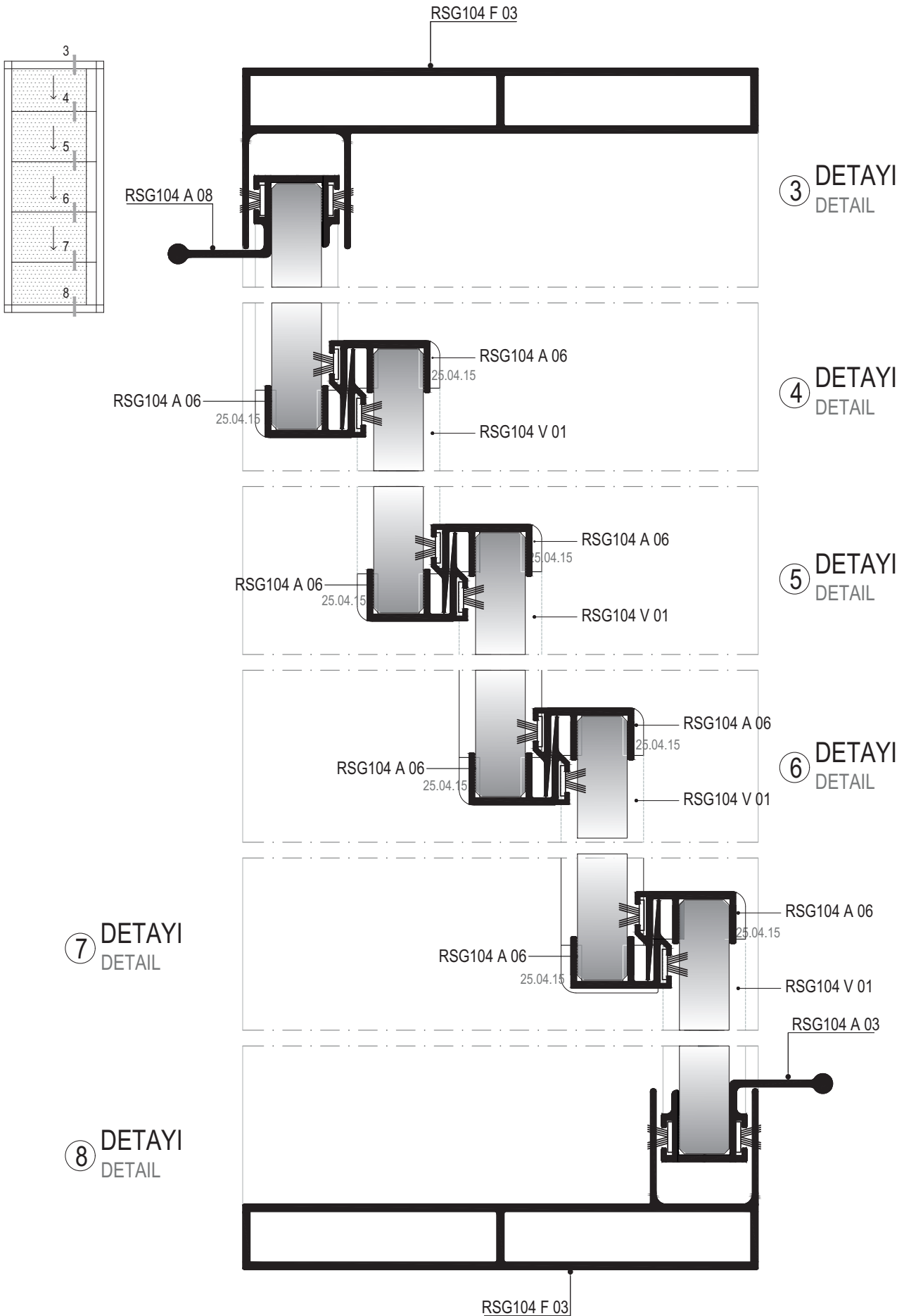
RSG104 F 04

RSG104 V 04

25.04.07

25.04.13

17.01.03



01

02

03

04

05

06

07

08

09

10

11

12

13

01

02

03

04

05

06

07

08

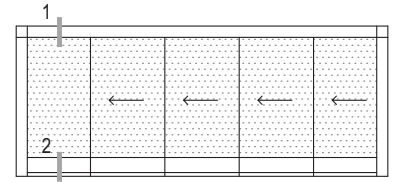
09

10

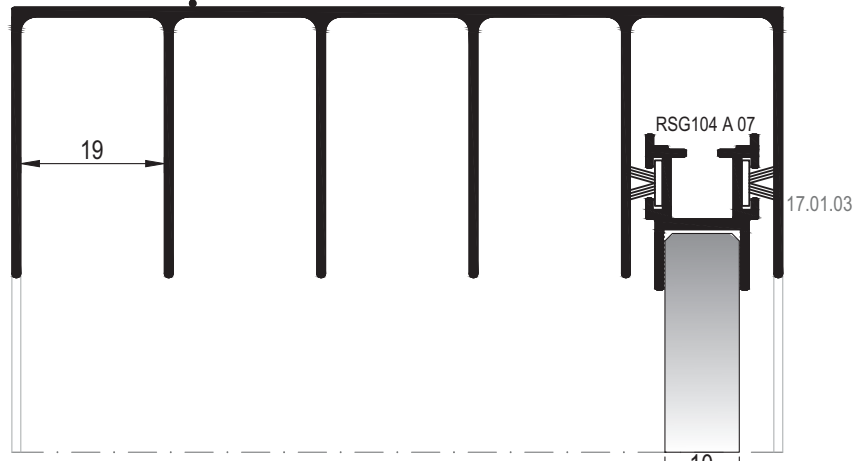
11

12

13

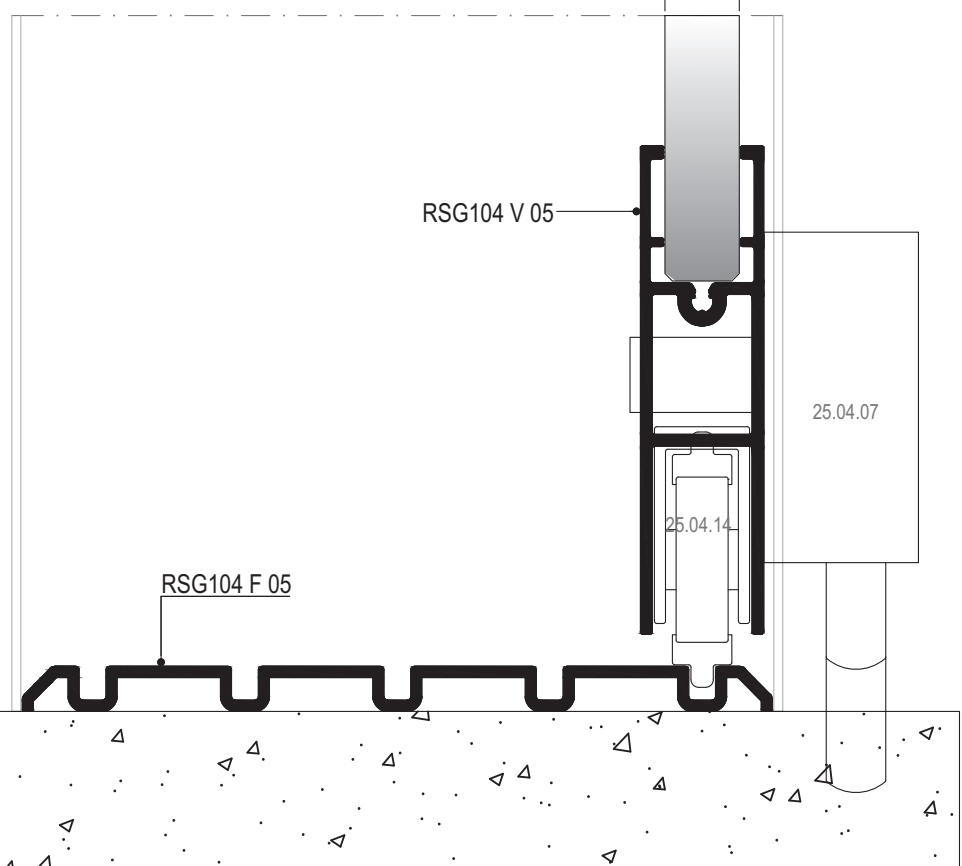


RSG104 F 01

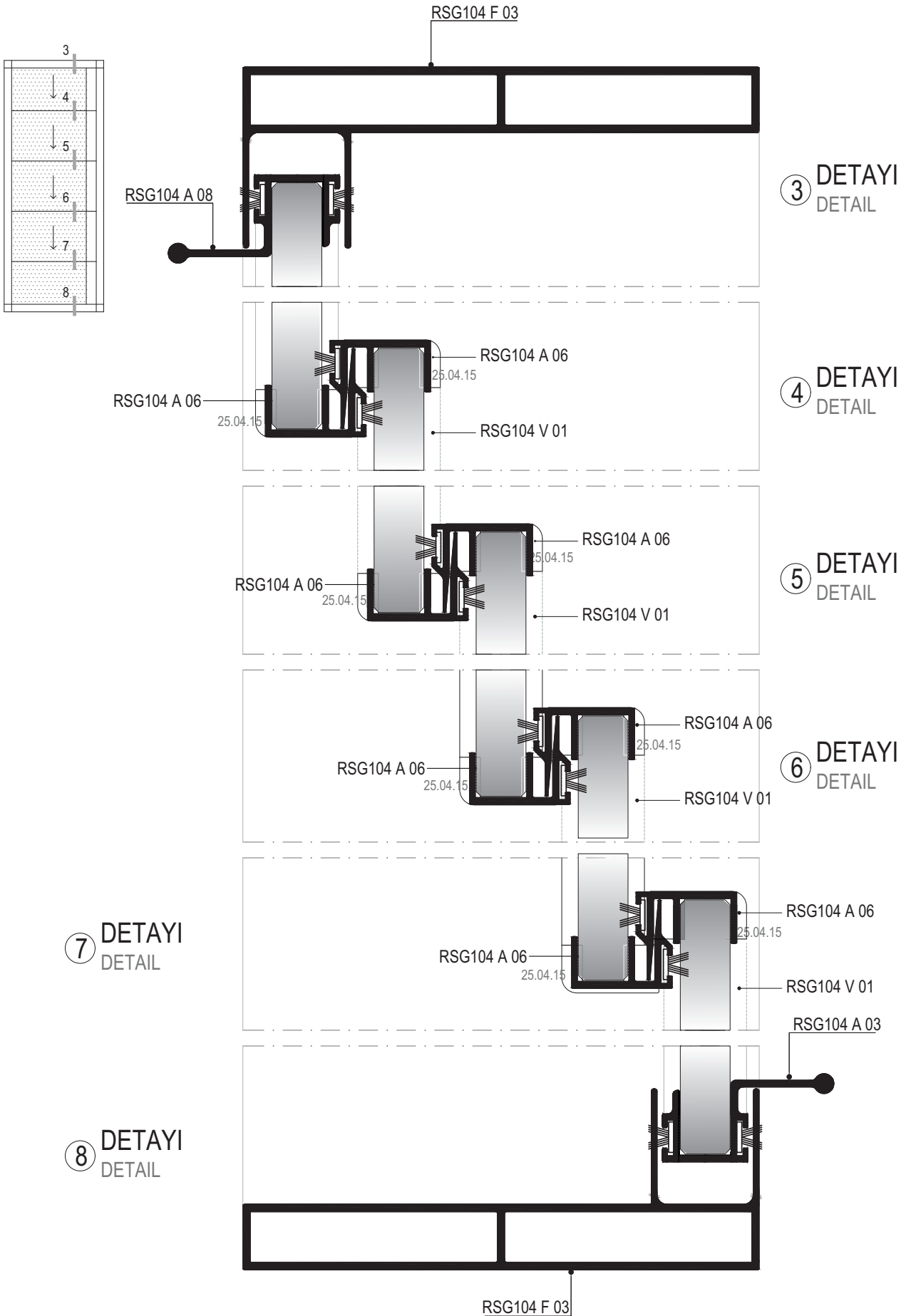


① DETAYI
DETAIL

RSG104 V 05



② DETAYI
DETAIL



MİMARİ KATALOG ARCHITECTURAL CATALOGUE

Alüminyum Kapı Pencere ve Giydirme Cephe Sistemleri
Aluminium Window Doors and Facade Systems

RSG104

AKSESUARLAR

ACCESSORIES

01

02

03

04

05

06

07

08

09

10

11

12

13

01

02

03

04

05

06

07

08

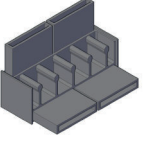
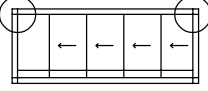

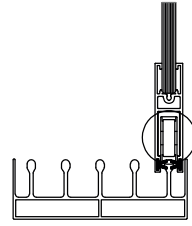
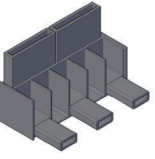
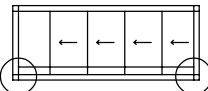

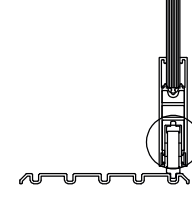

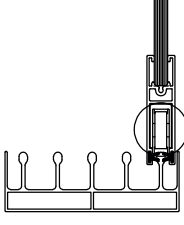

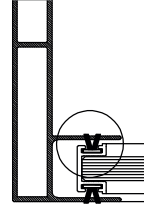
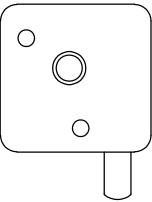
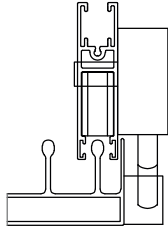
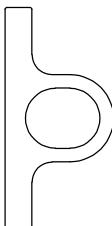
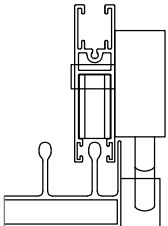
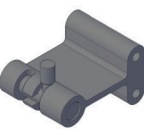
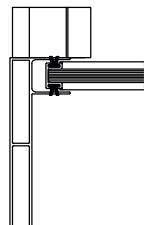
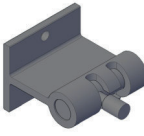
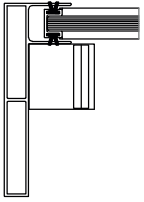
09

10

11

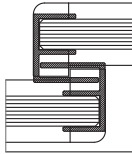
12

13

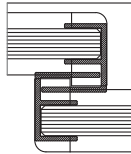
	<p>25.04.01</p> <p>KÖŞE TAKOZ CORNER CLEAT</p> <p>Malzeme / Material: PVC RSG104 F 01 - RSG104 F 03</p>			<p>25.04.13</p> <p>AYARLI ÇİFTLİ RULMAN ADJUSTABLE DOUBLE ROLLER</p> <p>RSG104 V 01 İÇİN FOR RSG104 V 01</p>	
	<p>25.04.02</p> <p>KÖŞE TAKOZ CORNER CLEAT</p> <p>Malzeme / Material: PVC RSG104 F 02 - RSG104 F 03</p>			<p>25.04.14</p> <p>AYARLI ÇİFTLİ RULMAN ADJUSTABLE DOUBLE ROLLER</p> <p>RSG104 V 03- RSG104 F 05 İÇİN FOR RSG104 V 03 - RSG104 F 05</p>	
	<p>25.04.06</p> <p>RULMAN ROLLER</p> <p>RSG104 V 01 İÇİN FOR RSG104 V 01</p>			<p>25.02.37</p> <p>KİL FİTİL BRUSH</p>	
	<p>25.04.07</p> <p>KİLİT LOCK</p>				
	<p>25.04.08</p> <p>KİLİT KARŞILIĞI STRIKER</p>				
	<p>25.04.10</p> <p>KİLİT LOCK</p>				
	<p>25.04.11</p> <p>KİLİT LOCK</p>				

 <p>25.04.03 ARKA KAPAK (SOL) CAP (LEFT) Malzeme / Material : PVC</p>	 <p>25.04.04 ARKA KAPAK (SAĞ) CAP (RIGHT) Malzeme / Material : PVC</p>
 <p>25.04.05 BİTİŞ KAPAĞI FINISH CAP Malzeme / Material : PVC</p>	

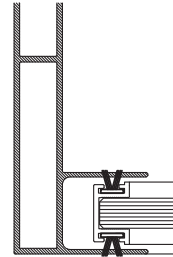
25.04.03



25.04.04



25.04.05



Ölçek/Scale: 1/2



25.04.15

ARKA KAPAK (SOL)
MIDDLE CAP (LEFT)

Malzeme / Material : PVC



25.04.16

ARKA KAPAK (SAĞ)
MIDDLE CAP (RIGHT)

Malzeme / Material : PVC



25.04.17

BİTİŞ KAPAĞI
FINISH CAP

Malzeme / Material : PVC

